

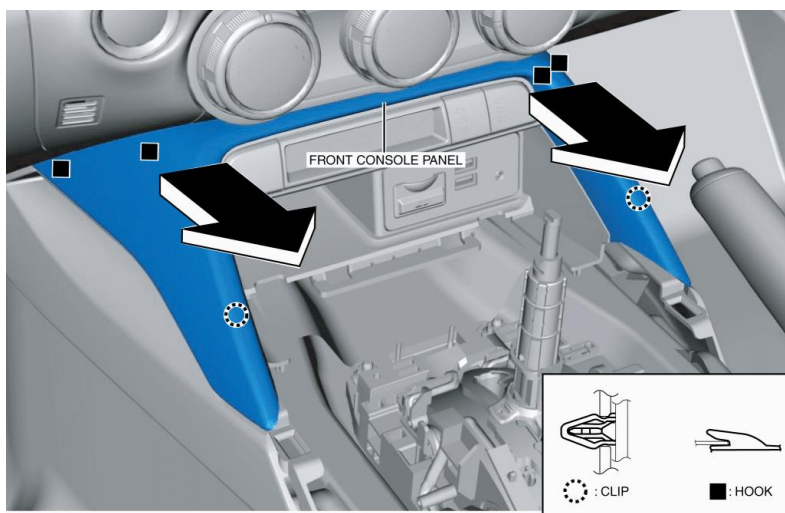
Replacing indicator unit overlay

Tools required:

- a) Phillips #2 screw driver
- b) T10 (3mm) Torx screw driver
- c) Plastic trim removal tool (optional)

Step 1

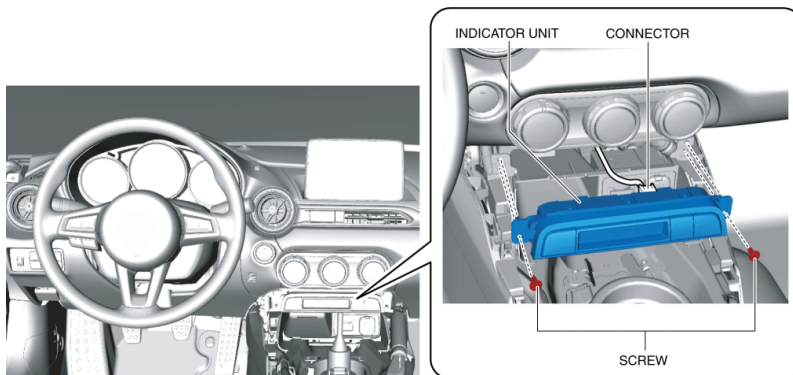
Remove the front console panel; this is the only part of trim you will need to remove.



Simply pull it; it will be easier if you release the clip on one side first with help of a trim removal tool.

Step 2

Remove the indicator unit. Use a Phillips #2 screw driver.



Unplug the cable from the connector. The connector has a release button on top, push down to unplug.

Step 3

Open the unit by removing 2 screws, using the T10 Torx screw driver and releasing the back plate from 6 plastic hooks.



Step 4

Remove the white the plastic insert, by pushing from the front window and pressing the retainer at the same time.

Step 5

Insert the new overlay unit. Assemble everything in reverse order.

